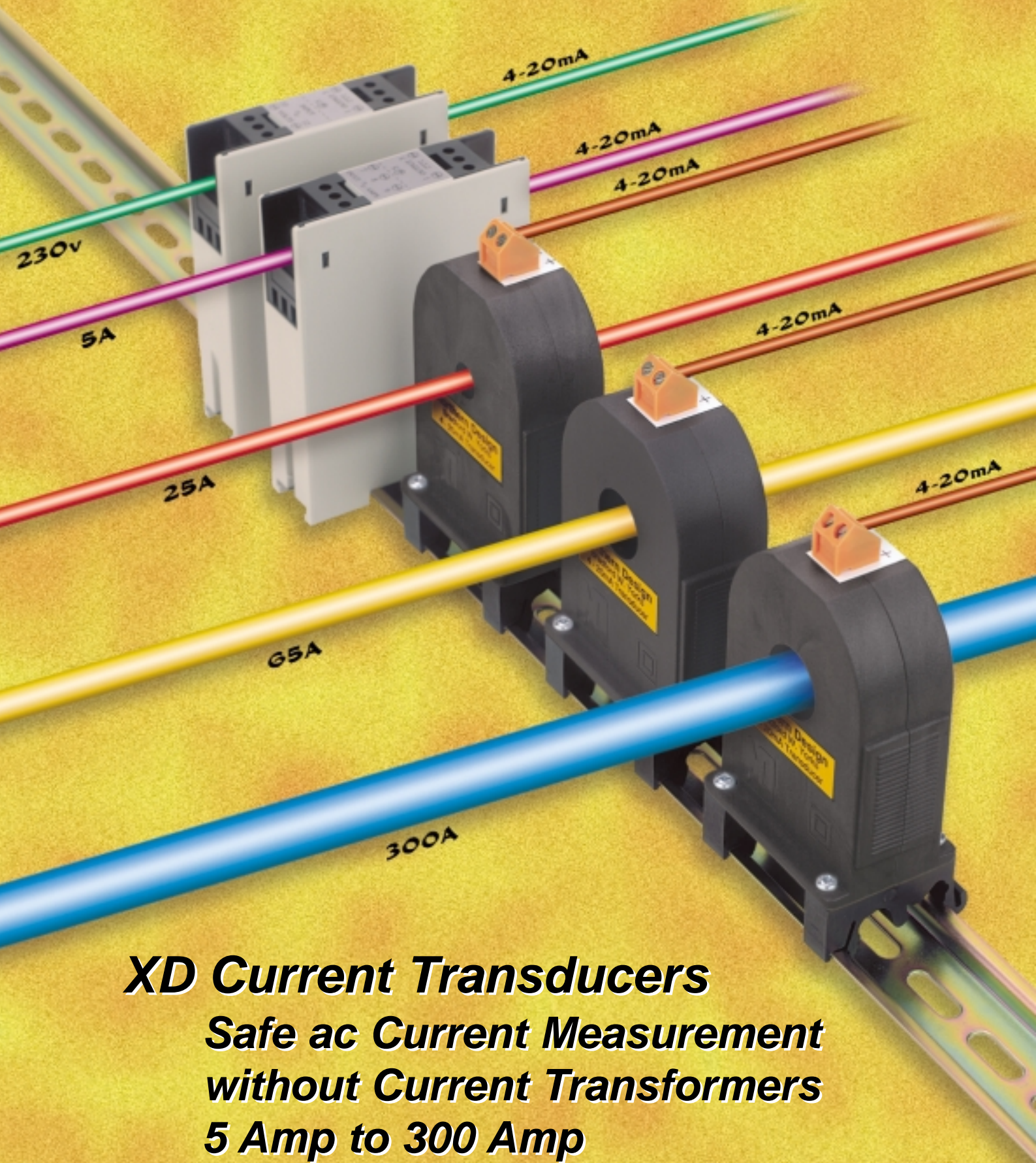




***XD Series
Current Transducers***

***DRIVE Series
Current & Voltage Transducers***



***XD Current Transducers
Safe ac Current Measurement
without Current Transformers
5 Amp to 300 Amp***

XD Current Transducers

Measure ac currents up to 300A without using current transformers

Fully isolated direct measuring ac Current Transducers available with 2 different output signals:

XD-I420 4 - 20mA, Loop powered.

XD-5V 0 - 5V dc, Self powered.

Plate mounting (with a DIN Rail mount option) and an accuracy typically better than 0.5%. These transducers provide a low cost solution to most applications requiring measurement of ac current.

There are 3 models of each type, covering a range from 5A to 250 Amp. and with dip switch selection of scale.

Type 1 0 - 5, 10, 15, 20 or 25 Amp
(0 - 30A range at reduced accuracy)
10mm maximum cable diameter

Type 2 0 - 30, 45, 60, 75 or 100 Amp
(0 - 15A range at reduced accuracy)
19mm maximum cable diameter

Type 3 0 - 100, 150, 200 or 250 Amp
(0 - 50A range at reduced accuracy)
19mm maximum cable diameter

DRIVE Transducers

Simple solutions to the measurement of ac voltages & currents

DRIVE transducers offer a slim, compact and fully isolated solution where ac voltages & currents need to be measured. Only 22.5mm wide, they allow maximum use of space. They are available in 4 basic models.

Current Measurement

Dual 1 Amp & 5 Amp inputs fitted as standard

DRIVE IV 1V dc output, self powered

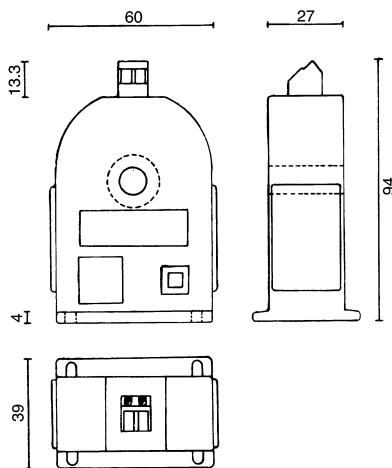
DRIVE II 4 - 20mA output, loop powered

Voltage Measurement

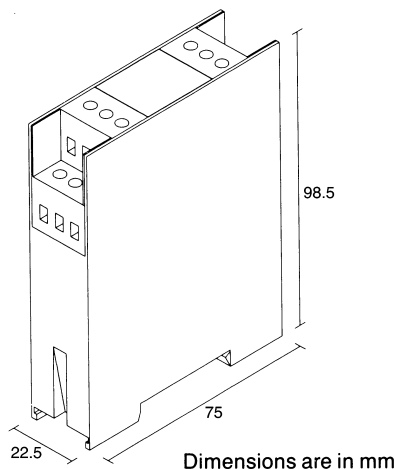
Available in any voltage range between 0 - 60V and 0 - 600V. Actual full scale voltage required must be specified at time of order.

DRIVE VV 1V dc output, self powered

DRIVE VI 4 - 20mA output, loop powered



All dimensions in mm
Mounting Holes 4x 3mm
Mounting Centres 32x45mm



Dimensions are in mm

BRIEF SPECIFICATION

Input

XD TYPE 1	0 - 5, 10, 15, 20, 25 or 30A*
XD TYPE 2	0 - 15*, 30, 45, 60, 75 or 100A
XD TYPE 3	0 - 50*, 100, 150, 200 or 250A
DRIVE Current Input	0 - 1 or 0 - 5A
DRIVE Voltage Input	0 - FS Volts (min 60V, max 600V)

Frequency Range

45 - 65 Hz standard

Operating Range

Current IN, Voltage OUT	0 - 120%
Current IN, Current OUT	0 - 100%
Voltage IN, Voltage OUT	0 - 120% (max 600V Input)
Voltage IN, Current OUT	0 - 100%

Outputs

XD-5V	0 - 5V dc
DRIVE xV	0 - 1V dc
XD-I420 & DRIVE xI	4 - 20mA

Overload

Current Input	2 x FS Current continuous 15 x FS Current for 10 sec
Voltage Input	1.2 FS Volts continuous 1.5 FS Volts for 10 sec

Accuracy

±1.0% FS Typically <±0.5%
XD ranges marked *
are at reduced accuracy

Loop Supply

Voltage Output	Not required
XD-I420	24V dc, max 36V dc
DRIVE xI	24V dc nominal

Burden

Voltage Output	250kΩ minimum
4 - 20mA Output	250Ω nominal, 600Ω max

Isolation, Input to Output

XD	4kV 50Hz 1 sec test
DRIVE	2kV 50Hz 1 sec test

Response Time

1 second nominal

Environmental

Operating Temperature	0°C to +60°C
Storage Temperature	-20°C to +70°C
Humidity	95%RH non-condensing

Full specification available on request.

Elektro - Trading sp. z o.o.

ul. Mechaników 9, 44-109 Gliwice
Tel.: (032)734-55-72 Tel/Fax: (032)734-55-70
E-mail: et@elektro-trading.com.pl
<http://www.elektro-trading.com.pl>