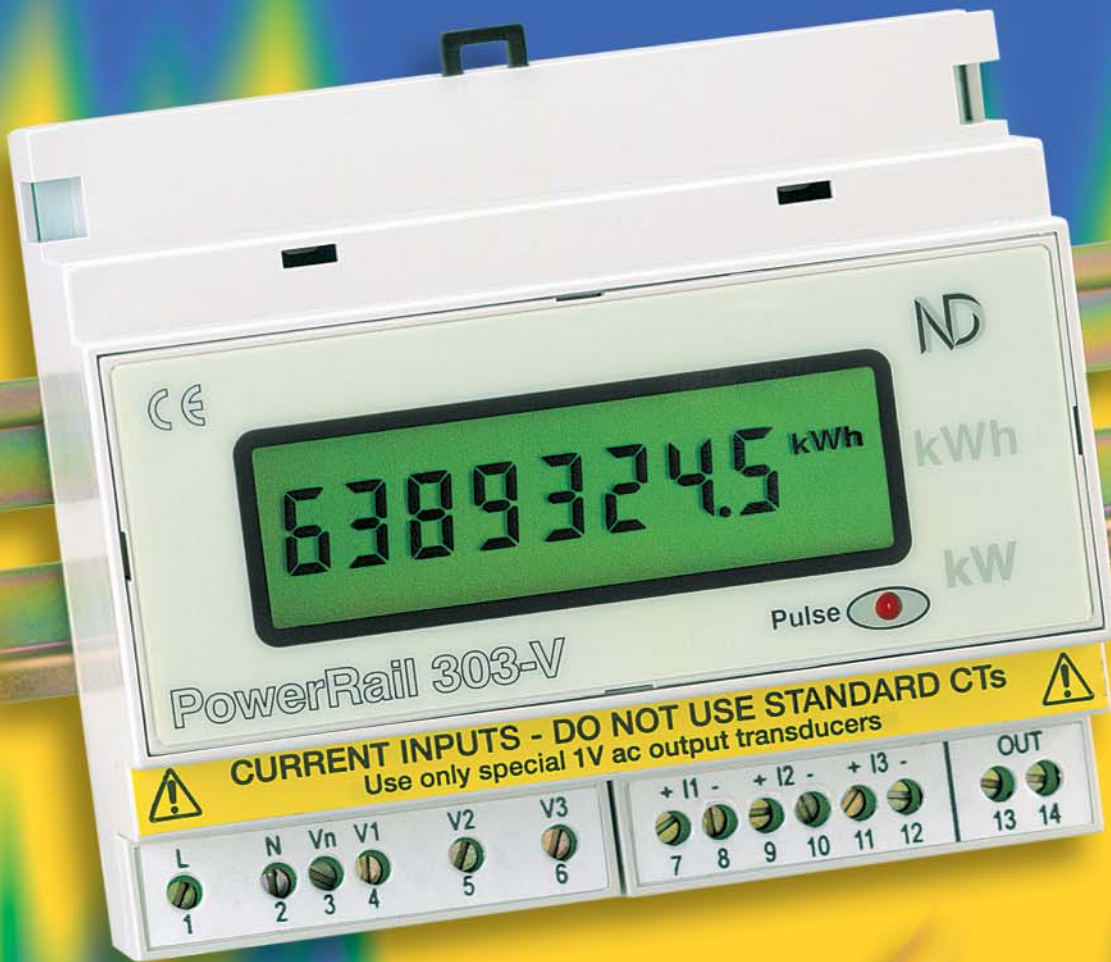


Power Rail 303-V

Retro-fit kWh Metering



metering monitoring measuring managing energy power metering monitoring measuring managing energy power

- **Complete kits ready to install. Meter plus 3 Split - core CTs**
- **Multi - range. Selectable for 50, 100 and 200 Amp circuits Other ranges to order**
- **Simple & quick to install & commission KW display provides a quick test**
- **Large clear backlit LCD with Legends**



The **Power Rail 303-V** is an electronic kWh meter - DIN rail mounting, easy to install, safe and convenient to use. It has been designed to measure accurately irrespective of the type of load - ideal for a motor or heater, or for modern electronically controlled loads.

Wide Range CTs

The standard **Power Rail 303-V** kit includes 3 special split-core current transformers, each selectable for 50, 100 or 200 Amp. Alternative kits can be supplied for other current ratings.

Easy to Install

To simplify wiring, the Rising Cage terminals allow connection to cables from 0.25mm² to 4.0mm².

Easy to Use

The **Power Rail 303-V** has a large, custom, backlit LCD with a wide viewing angle. This allows meter readings to be taken in all lighting conditions and provides straightforward readings (Wh, kWh, MWh) with optimum resolution for the measured load.

Accurate Real World Measurement

A precision analogue measurement system maintains full accuracy in the presence of harmonics and randomly / periodically interrupted waveforms - as commonly found on modern electronically controlled loads.

Instantaneous Power Indication

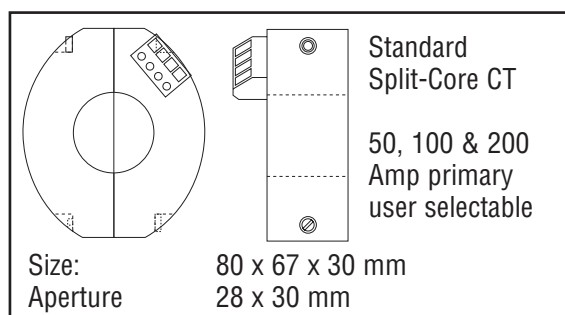
A single key press displays instantaneous power for 60 seconds. This is useful in commissioning, especially when the test load is small. LCD indication of reverse CT connection also simplifies the job of the commissioning engineer.

Optional Reset

Reset of kWh register available on request.

Wall Mounting

The **Power Rail 303-V** can be installed in standard MCB enclosures, minimum 6 unit wide. These can be provided by your distributor.



Elektro - Trading sp. z o.o.
ul. Mechaników 9, 44-109 Gliwice
Tel.: (032)734-55-72 Tel/Fax: (032)734-55-70
E-mail: et@elektro-trading.com.pl
http://www.elektro-trading.com.pl

Brief Specification

Voltage

Nominal Un = 400V L-L, 230V L-N
Other voltages to special order
AC 45-65Hz fundamental
Range = Un ± 20%
Burden 0.1W per phase
Overload 2 x Un for 2 Seconds

Current

Nominal Ib = 50, 100 or 200 Amp
Range = 0.005 Ib to 1.2 Ib
Overload: 250 Amp continuous, 500 Amp for 10 seconds

Aux mains

Nominal 230V, ±15%, 45-65Hz
Optional 110V
Other voltages available to special order
Burden 4W max

Display

Liquid Crystal (LCD). 8 x 9mm Digits + Legends
Backlight green LED
Memory 10 Years in the event of power fail.

Pulse

Normally Open Volt Free Contacts.
Contact Rating 100V & 100mA AC/DC max.
100ms Closure per display increment.
Switching Time (tr, tf) 2ms max
Contact Bounce 0.5ms max.

Standards

Accuracy EN 61036 Class 1 (kWh)
Safety EN 61010-1 (Installation Category 3)
EMC EN 50081-1 (Commercial Emissions)
EN 50082-2 (Industrial Immunity)

Case

DIN 43880, 6-Modules wide
106mm x 90mm x 58mm
Cut-Out 45mm x 106mm
NORYL. ULV94 V-O self extinguishing

DIN rail

DIN EN 50022 106mm (min) x 35mm
Terminals Rising Cage 0.25mm² to 4mm²

Operation

Operation -10°C to 55°C. <75% RH non condensing

Storage

-25°C to 70°C. < 85% RH non condensing

